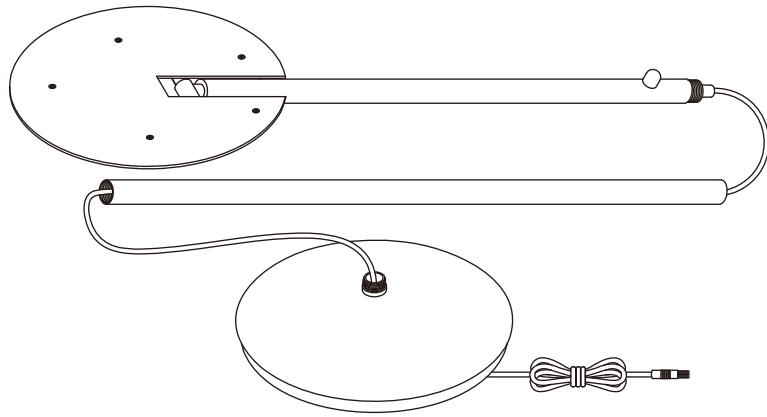
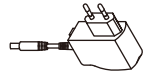


Package contents (parts are not to scale):

A



B



Part	Description	Quantity
A	The fixture with wire	1
B	LED driver plug	1

Light source

LED 18W 1697lm 3000K
(LED driver plug warranty: 3 years)

Dimmer

With dimmer on the lamp

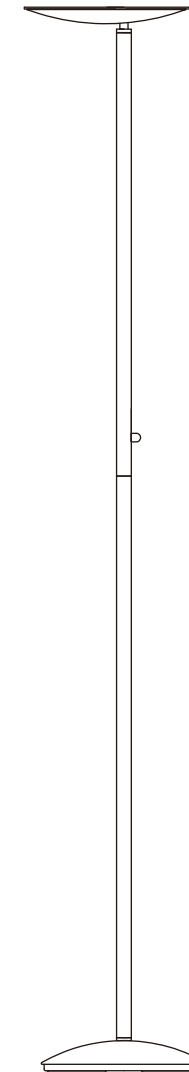
Care and Cleaning

EXTERIOR MAINTENANCE

1. To clean the outside of the fixture, use a dry or slightly dampened clean cloth (use clean water, never a solvent) to wipe the surface of the fixture.
2. Do not use any cleaners with chemicals, solvents or harsh abrasives. Use only a dry soft cloth to dust or wipe carefully.

INTERIOR FLOOR LAMP

Art Nr. 34077-001-20, 34081-001-53
34080-001-22, 34307-180-71



Pre-Installation

PLANNING THE INSTALLATION

Read all instructions before assembly and installation. Before starting installation of the fixture or removal of a previous fixture, disconnect the power by turning off the circuit breaker or by removing the fuse at the fuse box. To avoid damaging this product, assemble it on a soft, non-abrasive surface such as carpet or cardboard.

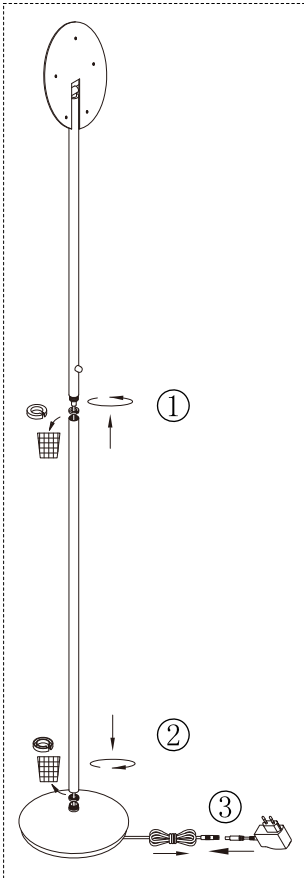
TOOLS REQUIRED



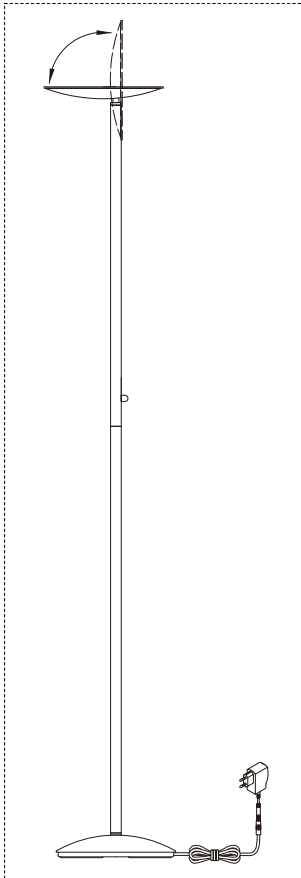
Knife

Installation

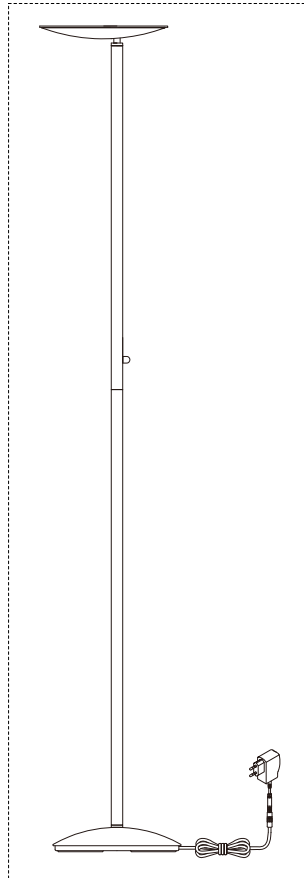
Step 1.



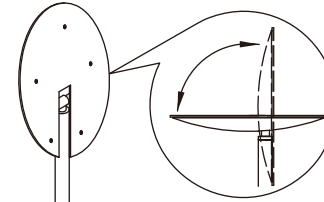
Step 2.



Step 3.

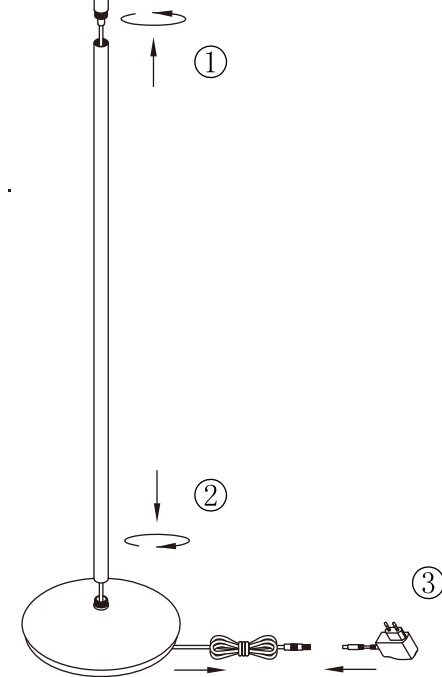


Installation (continued)



Step 2.

Step 1.



Operation

- Turn on power at the circuit breaker or fuse box.
- Turn the light switch on to activate the fixture.