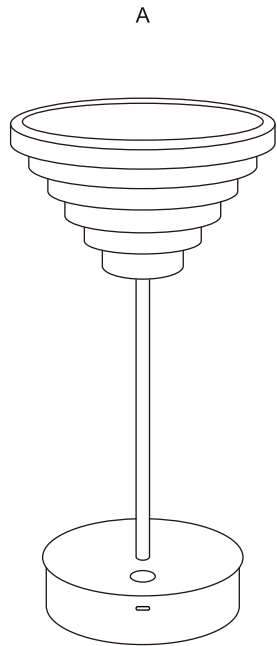


Package contents (parts are not to scale):



Part	Description	Quantity
A	The fixture with wire	1
B	Type-C cable	1

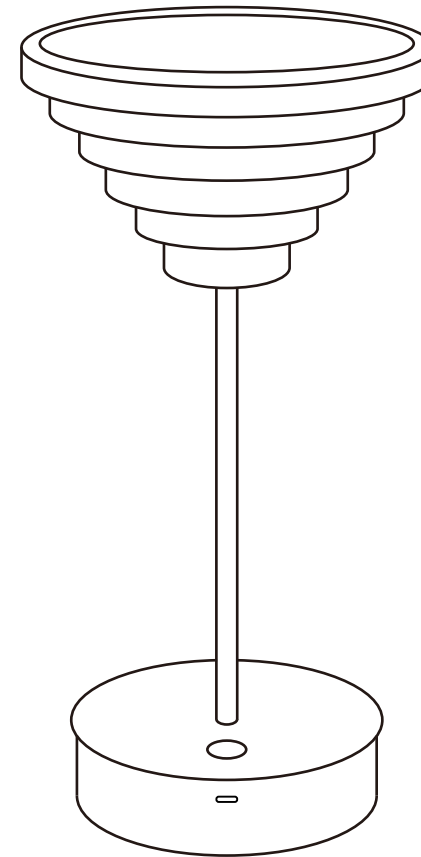
Care and Cleaning

EXTERIOR MAINTENANCE

1. To clean the outside of the fixture, use a dry or slightly dampened clean cloth (use clean water, never a solvent) to wipe the surface of the fixture.
2. Do not use any cleaners with chemicals, solvents or harsh abrasives. Use only a dry soft cloth to dust or wipe carefully.

INTERIOR TABLE LAMP

Art Nr. 77108-030-53,77109-030-71



Pre-Installation

PLANNING THE INSTALLATION

Read all instructions before assembly and installation. Before starting installation of the fixture or removal of a previous fixture, disconnect the power by turning off the circuit breaker or by removing the fuse at the fuse box. To avoid damaging this product, assemble it on a soft, non-abrasive surface such as carpet or cardboard.

TOOLS REQUIRED



Knife

Product detail information:

Voltage :DC3.7V

Switch: Touch ON/OFF

Light source : everight

Colour temperature:3000K/6000K(switchable)

Luminaire connected wattage : 1.5W,Luminaire luminous flux:60lm

Battery type: 1800mAh 18650 Li-ion battery

Battery charge : Solar Charge time : 8hrs discharge time : 4hrs(100% light intensity)

TYPE C charge time: 2hrs discharge time : 4hrs(100% light intensity)

Adapter(optional): CLASS II; Input AC100-240V ; Output DC 5V \approx 1A

Dimmer : Touch stepless dimmable 5%-100%

Protection class :IP65,Safety: Class III

Battery life guarantee 3 years

(with 500times recharging, it means after 500times it could not be "100% full filled" but still could be recharged)

Switch instruction:

- 1.Please use the bottom TYPE C charging port to charge before use, When charging the indicator is red.When charging is completed the indicator is green.
- 2.To adjust the brightness touch the on/off button on the top.The indicator turns white. Long press on the on/off button wil adjust the brightness from high to low.Release wanted brightness is reached. To increase the brightness again you need to long press the on/off button again.Press once to exit the brightness program.
- 3.To switch the color temperature press the on/of button for 3 seconds. The indicator turns blue. Click to choose color temperature(three types available,3000K/6000K).press on/off button for 3 seconds again to exit the color temperature program.

