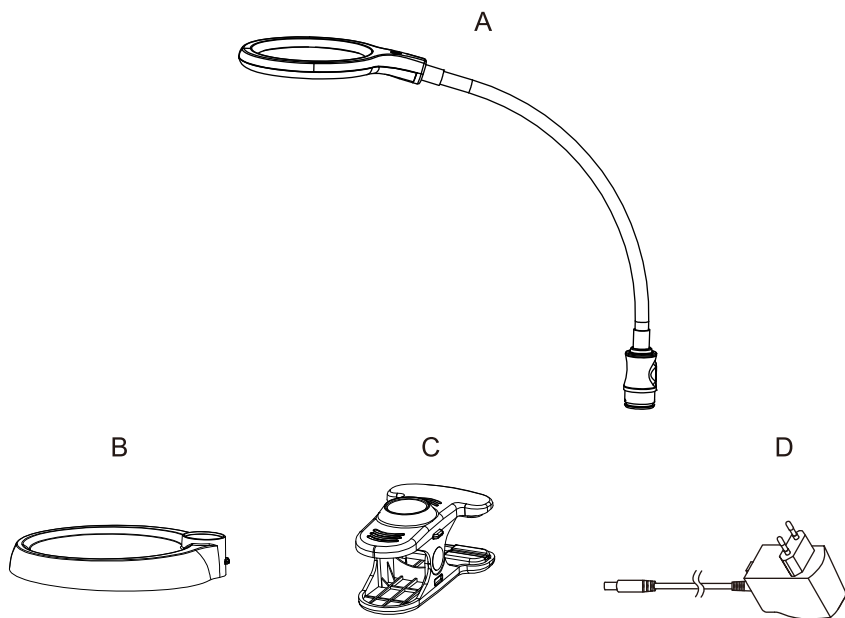


Package contents (parts are not to scale):



Part	Description	Quantity
A	Fixture body	1
B	Base support	1
C	Clamp connector	1
D	LED driver plug	1

Light source

Max. LED 6W 480Lumen 3500-4500-6500K (Dimmable)

(Lamp gurantee: 2 years)

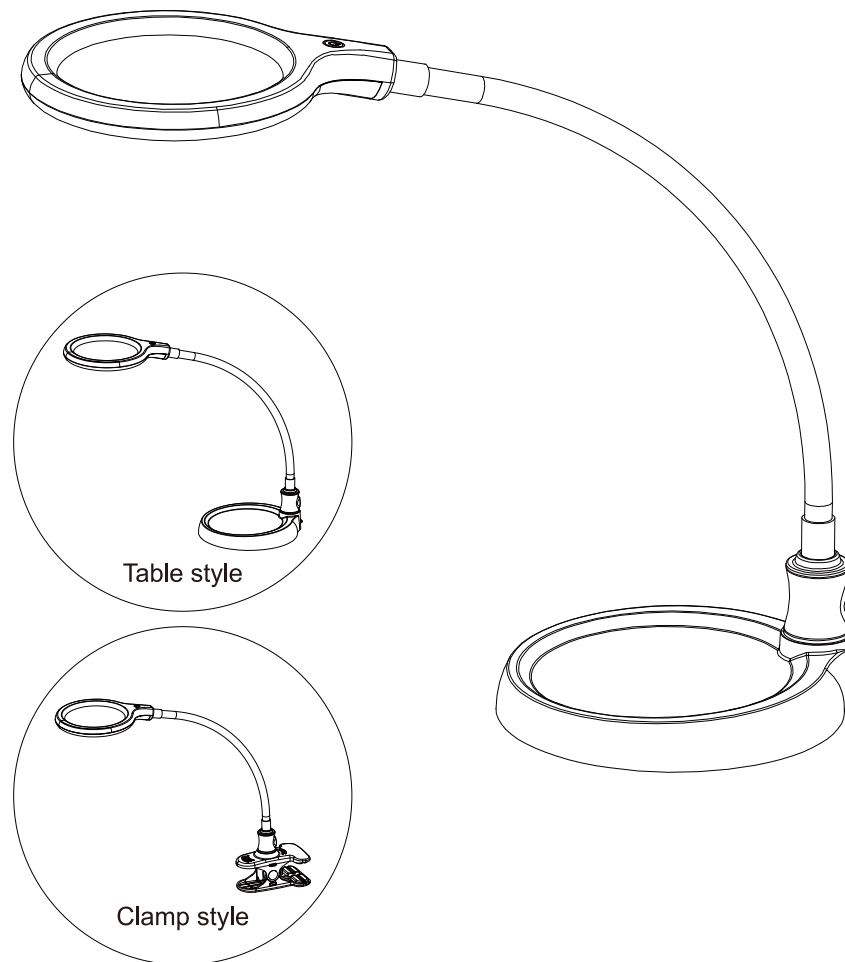
Care and Cleaning

EXTERIOR MAINTENANCE

1. To clean the outside of the fixture, use a dry or slightly dampened clean cloth (use clean water, never a solvent) to wipe the surface of the fixture.
2. Do not use any cleaners with chemicals, solvents or harsh abrasives. Use only a dry soft cloth to dust or wipe carefully.

MAGNIFYING TABLE LAMP

Art Nr. 20417-056-53



Pre-Installation

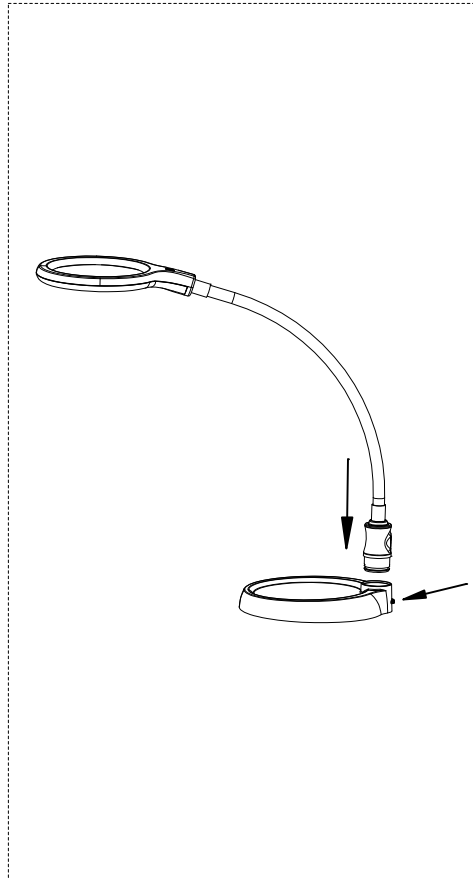
PLANNING THE INSTALLATION

Read all instructions before assembly and installation. Before starting installation of the fixture or removal of a previous fixture, disconnect the power by turning off the circuit breaker or by removing the fuse at the fuse box. To avoid damaging this product, assemble it on a soft, non-abrasive surface such as carpet or cardboard.

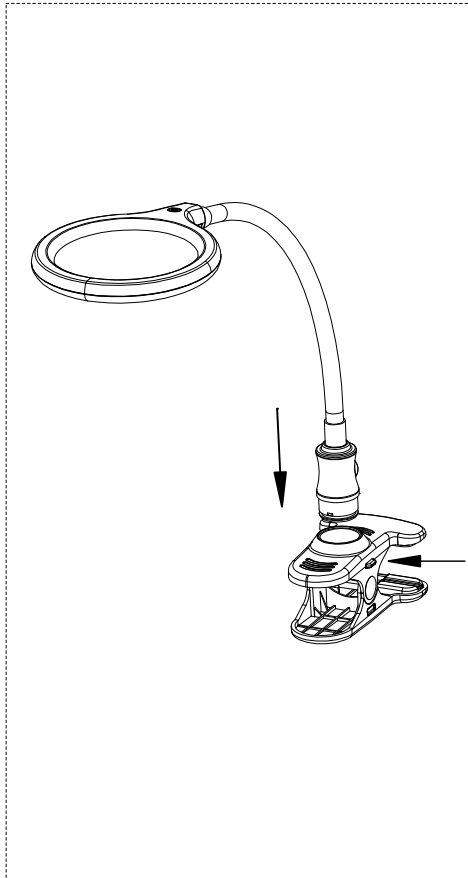
TOOLS REQUIRED

Installation

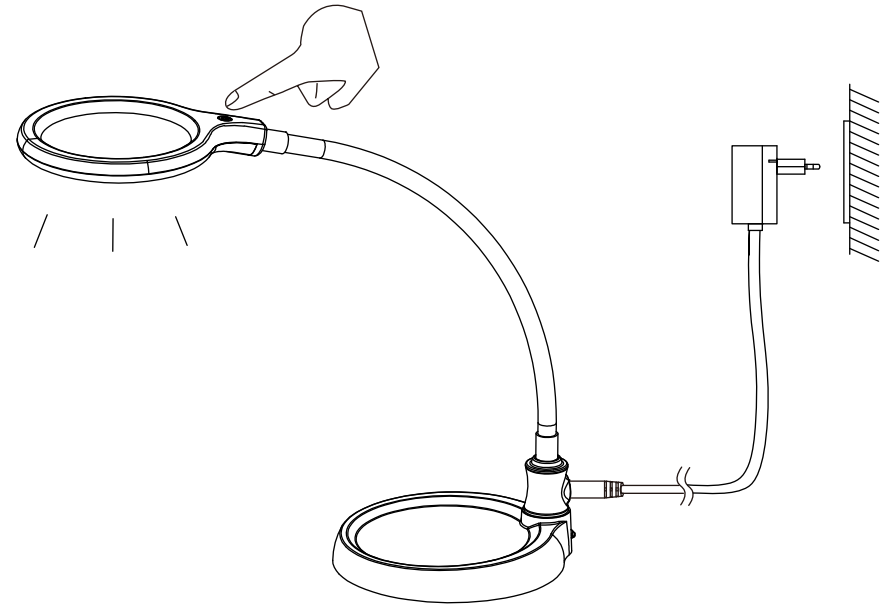
Table version:



Clamping version:



Instructions



Optional Color Temperature: 6500K-4000K-3000K



Dimming Range: 100%-10%



▲ 100% ▲ 90% ▲ 80% ▲ 70% ▲ 60% ▲ 50% ▲ 40% ▲ 30% ▲ 20% ▲ 10%

Operation

- Turn on power at the circuit breaker or fuse box.
- Turn the light switch on to activate the fixture.