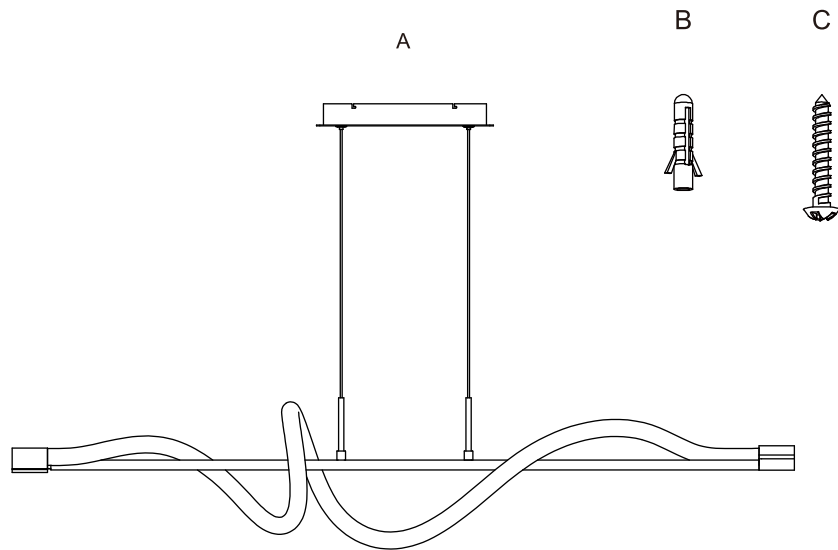


## Package contents (parts are not to scale):



Part	Description	Quantity
A	Fixture body with wire	1
B	Wall expansion particle	2
C	Self-Tapping screw	2

## Light source

**Max. LED 20W 2600Lumen 2000~3000K (Dimmable)**

**(Lamp gurantee: 3 years)**

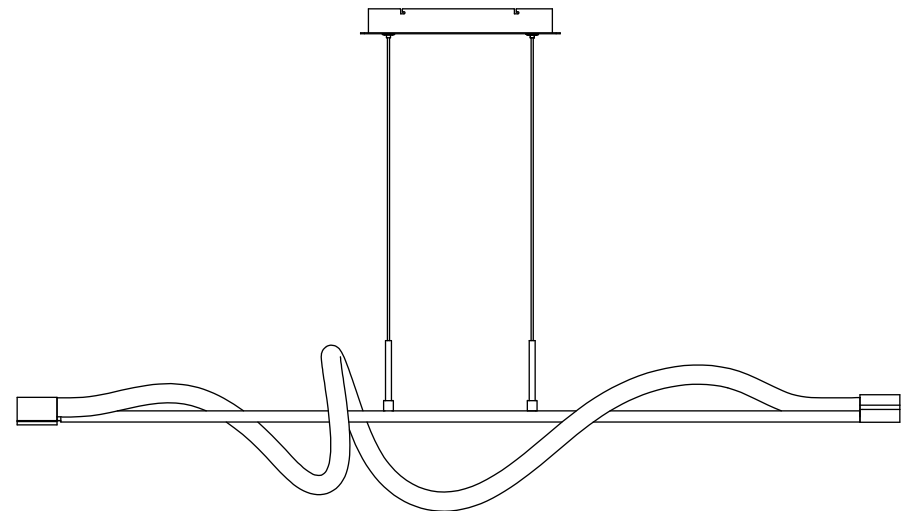
## Care and Cleaning

### EXTERIOR MAINTENANCE

1. To clean the outside of the fixture, use a dry or slightly dampened clean cloth (use clean water, never a solvent) to wipe the surface of the fixture.
2. Do not use any cleaners with chemicals, solvents or harsh abrasives. Use only a dry soft cloth to dust or wipe carefully.

## INTERIOR PENDANT

Art Nr. 54817-120-71

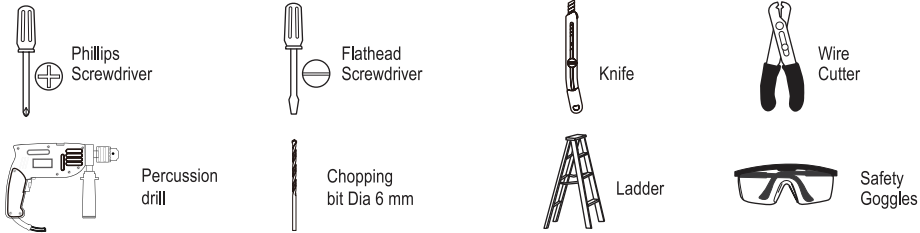


## Pre-Installation

### PLANNING THE INSTALLATION

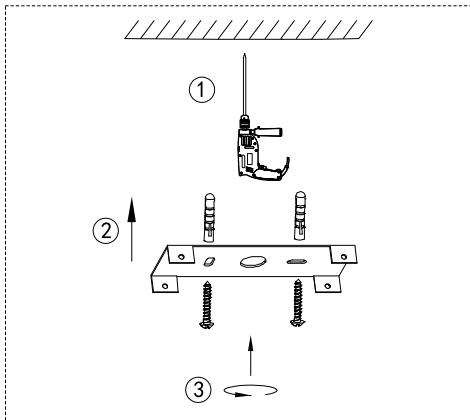
Read all instructions before assembly and installation. Before starting installation of the fixture or removal of a previous fixture, disconnect the power by turning off the circuit breaker or by removing the fuse at the fuse box. To avoid damaging this product, assemble it on a soft, non-abrasive surface such as carpet or cardboard.

### TOOLS REQUIRED

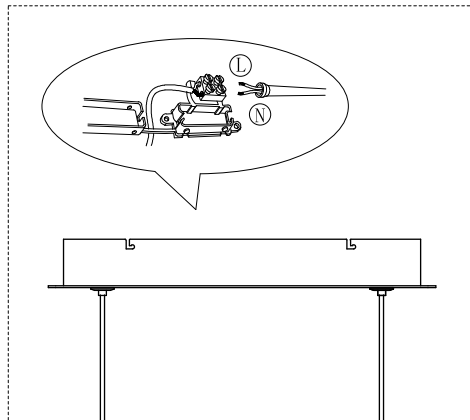


## Installation (Make sure to turn off the main power)

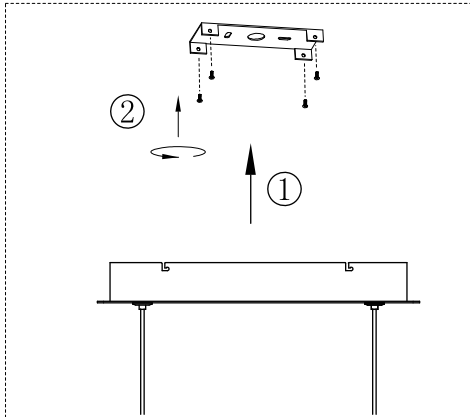
Step 1.



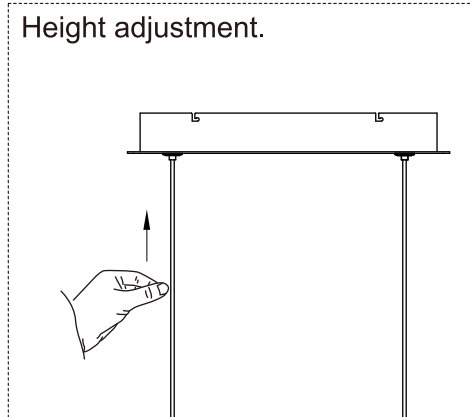
Step 2.



Step 3.

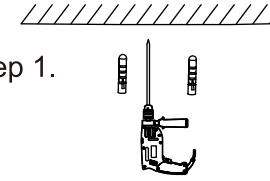


Step 4.

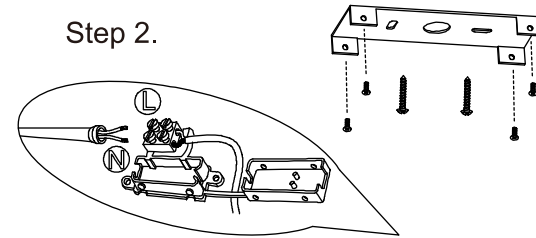


## Installation (continued)

Step 1.

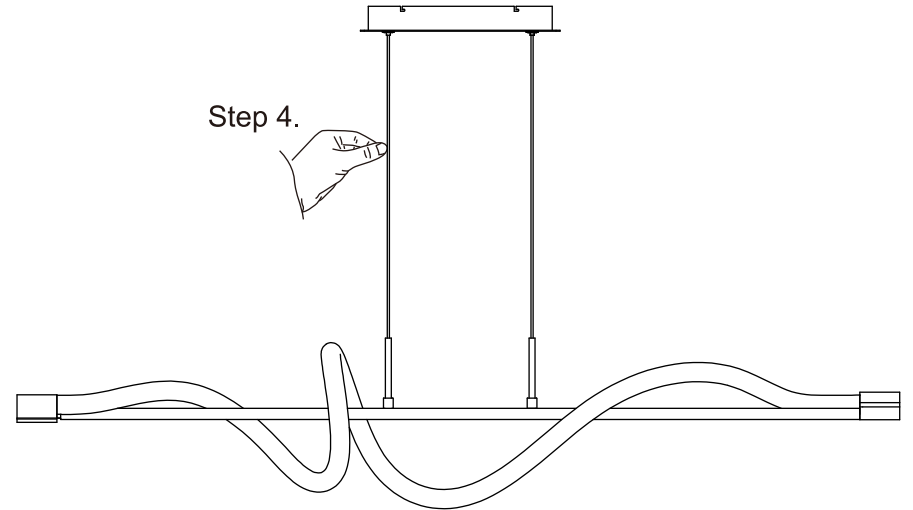


Step 2.



Step 3.

Step 4.



## Operation

- Turn on power at the circuit breaker or fuse box.
- Turn the light switch on to activate the fixture.