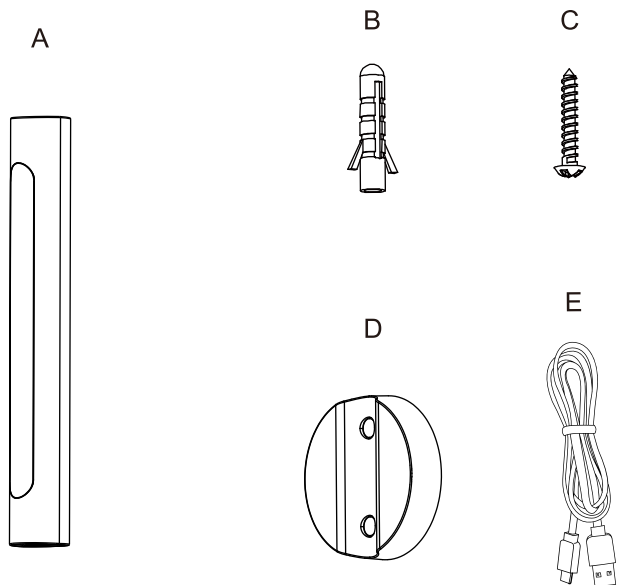


## Package contents (parts are not to scale):



Part	Description	Quantity
A	Fixture body	1
B	Wall expansion particle	1
C	Self-Tapping screw	1
D	Magnet base	1
E	Type-C cable	1

## Light source

**Max. LED 2.5W 120Lumen 3000K (Dimmable)**

**(Lamp gurantee: 2 years)**

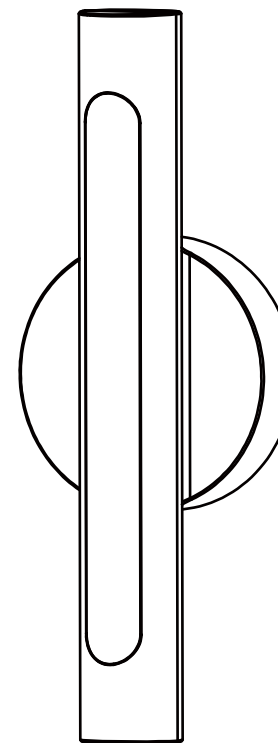
## Care and Cleaning

### EXTERIOR MAINTENANCE

1. To clean the outside of the fixture, use a dry or slightly dampened clean cloth (use clean water, never a solvent) to wipe the surface of the fixture.
2. Do not use any cleaners with chemicals, solvents or harsh abrasives. Use only a dry soft cloth to dust or wipe carefully.

## MAGNETIC NIGHT LIGHT

Art Nr. 41491-019-53,41491-019-71

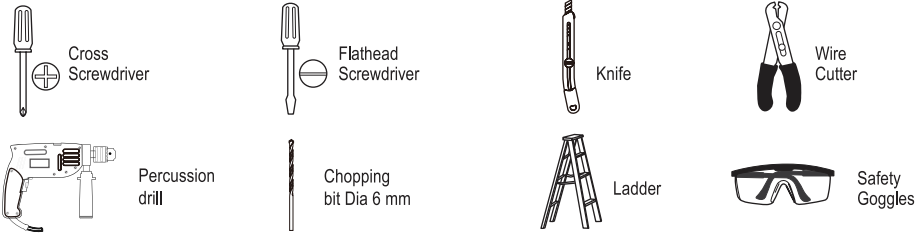


## Pre-Installation

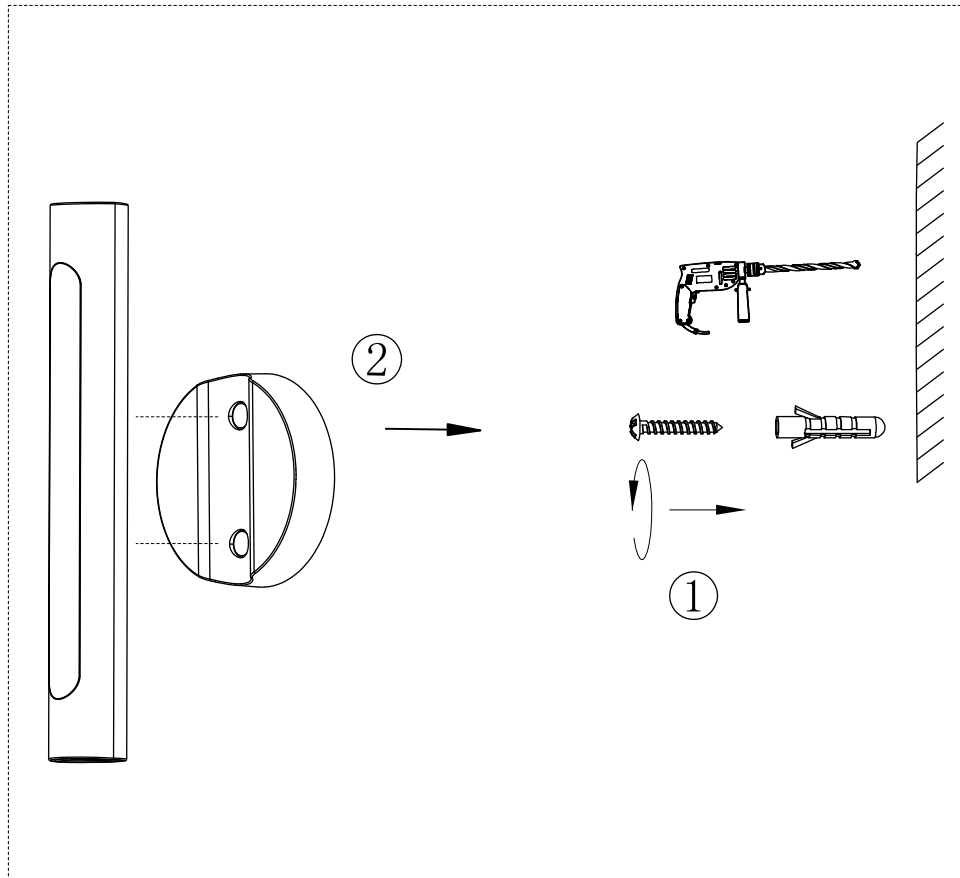
### PLANNING THE INSTALLATION

Read all instructions before assembly and installation. Before starting installation of the fixture or removal of a previous fixture, disconnect the power by turning off the circuit breaker or by removing the fuse at the fuse box. To avoid damaging this product, assemble it on a soft, non-abrasive surface such as carpet or cardboard.

### TOOLS REQUIRED



## Installation



## Product Parameter

- Recharge time: 2.0H
- Runtime: High-1h Low-10h
- Rated voltage: DC 5V 0.7A
- Battery: 3.7V 1100mAh
- Max Watt: LED 2.5W
- Kelvin: 3000K
- Lumen: 120Lumen
- With USB-Type C recharge cable Length:1M
- Touch Dimmer: Short touch to turn On/OFF Long touch to adjust lumen

Please use the TYPE C charging port to charge before use,  
When charging the indicator is red. When charging is completed the indicator is green.

