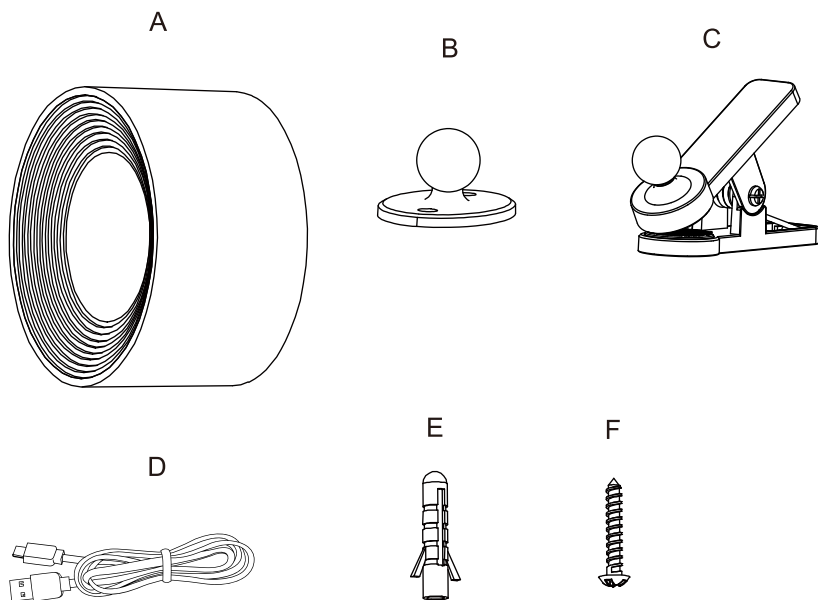


## Package contents (parts are not to scale):



Part	Description	Quantity
A	Fixture body	1
B	Magnet base	1
C	Magnet clamp	1
D	Type-C cable	1
E	Wall expansion particle	2
F	Self-Tapping screw	2

## Light source

**Max. LED 2.5W 100Lumen 3000-4500-6500K (Dimmable)**

**(Lamp gurantee: 2 years)**

## Care and Cleaning

### EXTERIOR MAINTENANCE

1. To clean the outside of the fixture, use a dry or slightly dampened clean cloth (use clean water, never a solvent) to wipe the surface of the fixture.
2. Do not use any cleaners with chemicals, solvents or harsh abrasives. Use only a dry soft cloth to dust or wipe carefully.

## MAGNETIC NIGHT LIGHT

Art Nr. 41492-001-53,41492-001-71

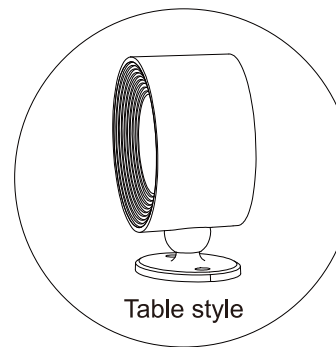
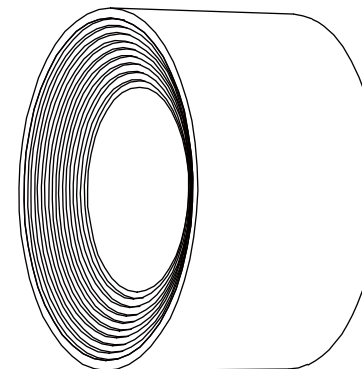
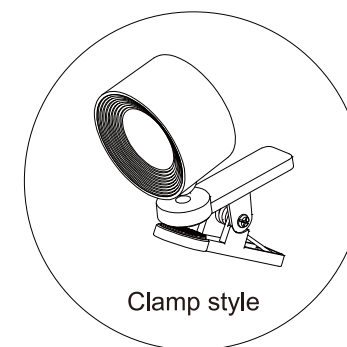


Table style



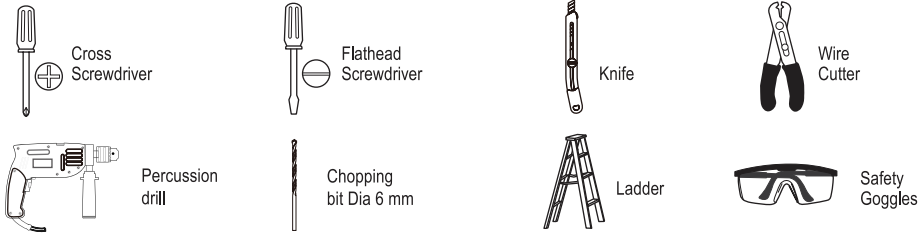
Clamp style

## Pre-Installation

### PLANNING THE INSTALLATION

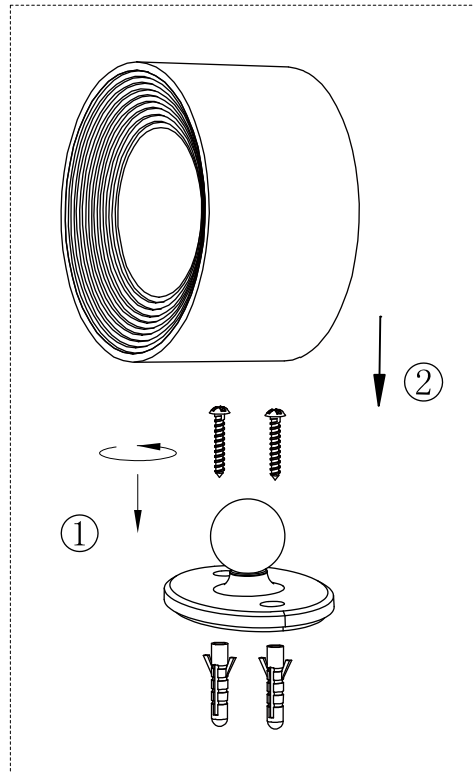
Read all instructions before assembly and installation. Before starting installation of the fixture or removal of a previous fixture, disconnect the power by turning off the circuit breaker or by removing the fuse at the fuse box. To avoid damaging this product, assemble it on a soft, non-abrasive surface such as carpet or cardboard.

### TOOLS REQUIRED

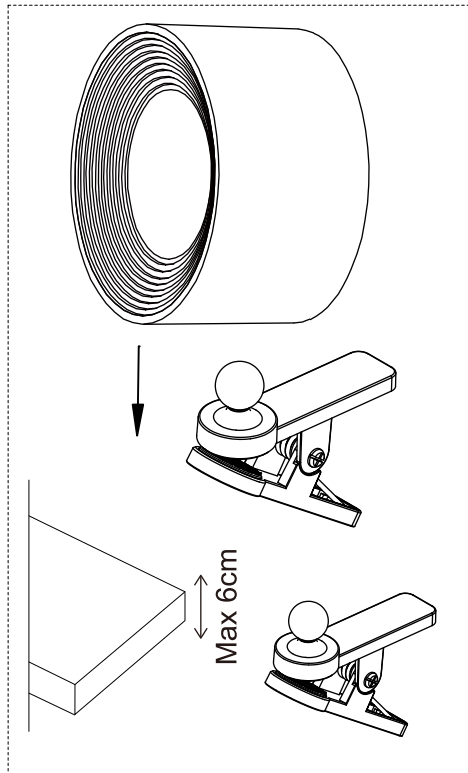


## Installation

Table version:



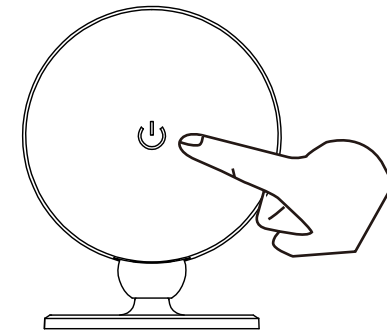
Clamping version:



## Product Parameter

- Charge Time: 2-2.5H
- Runtime: 4-10hours
- Rated voltage: DC 5V 1A
- Battery: 3.7V 1200mAh
- Max Watt: LED 2.5W
- Kelvin: 3000K/4500K/6500K CCT
- Lumen: 100Lumen
- With USB-Type C recharge cable Length:1M
- Touch Dimmer control the brightness
- Short Touch switch to adjust the brightness:Low - medium - high - OFF
- Long Touch to change the CCT: warm-mix-cool color

Please use the bottom TYPE C charging port to charge before use,  
When charging the indicator is red.When charging is completed the indicator is green.



Optional Color Temperature: 6500K-4000K-3000K



Dimming Range: 100%-10%



▲ 100% ▲ 90% ▲ 80% ▲ 70% ▲ 60% ▲ 50% ▲ 40% ▲ 30% ▲ 20% ▲ 10%